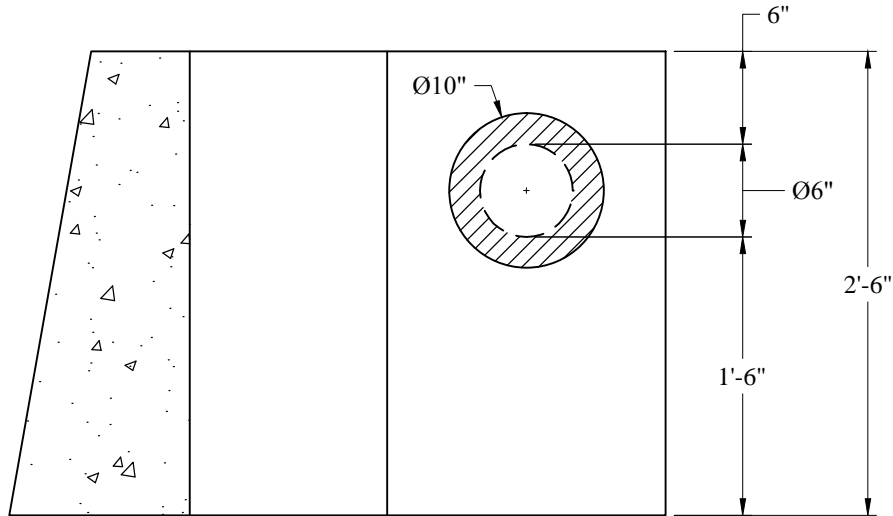
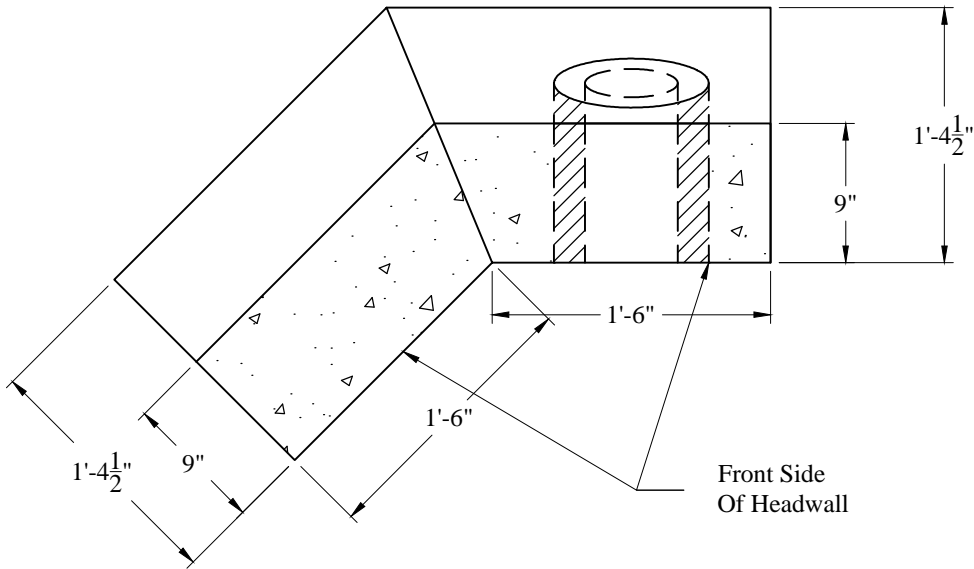


1-800-639-2199

Fax (603) 224-2927

Headwalls\Standard\DOT\L-Shaped\6in L-Shaped UD 135 Degrees UL2 (v)

Phoenix Precast Products



General Notes

1. Steel Reinforcement Conforms to Latest ASTM Specification: ASTM A-615 Grade 60 Black Deformed Bars
2. Concrete: $f_c = 5,000$ psi @ 28 Days Minimum
3. Est Weight: 1,400 Lbs

Phoenix
Precast
Products

NHDOT UL-2
6" Underdrain "L"
135° Headwall

P/N: HW-6DOTUL2

Phoenix Precast Products